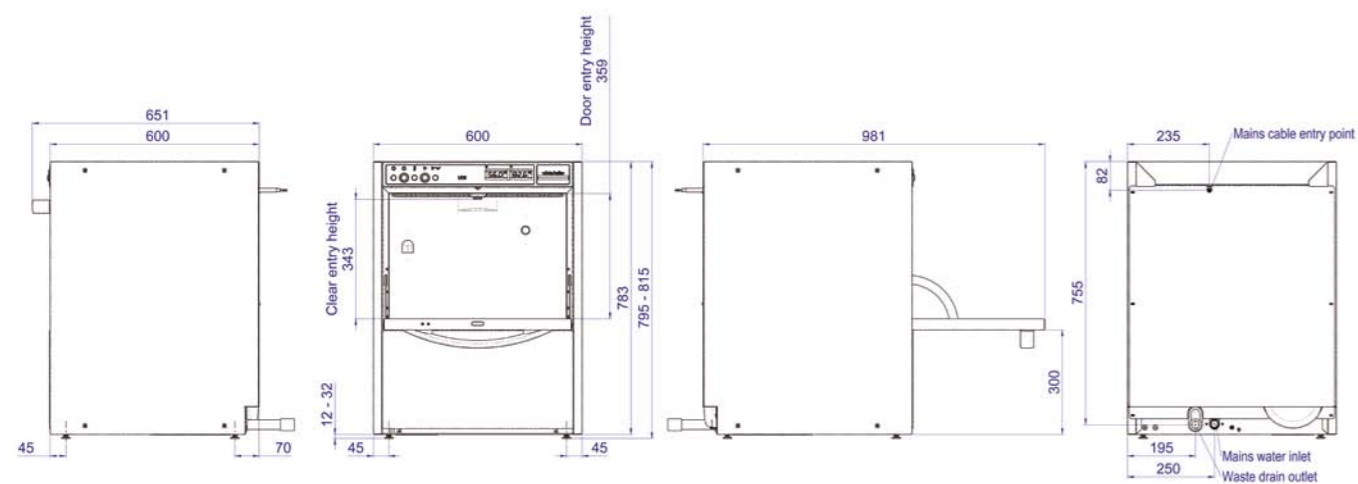
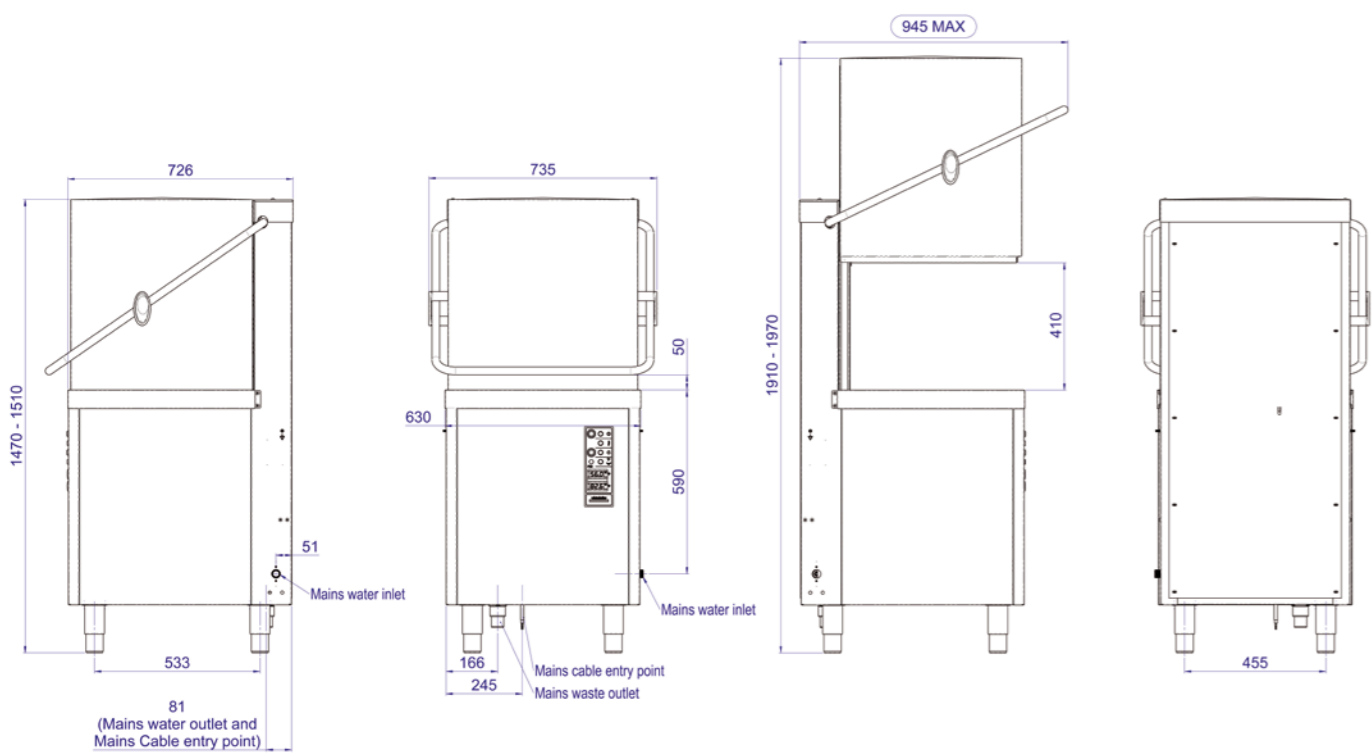


Under Counter Warewasher U50



Pass-Through Warewasher P50



Winterhalter Gastronom GmbH  
Commercial Dishwashing Systems

Tettlinger Straße 72  
88074 Meckenbeuren  
Germany  
Telephone +49 (0) 75 42 4 02-0  
Telefax +49 (0) 75 42 4 02-1 87

www.winterhalter.biz  
info@winterhalter.biz



The U50 offers users reduced noise levels, ease-of-use controls coupled with efficient operation and easy maintenance.



More transparency for the operator – fewer mistakes and better results

- Simple, clear and colour-coded controls made from robust CN-switches
- Integrated temperature displays for tank and boiler water
- Electro mechanical controls



Cleaner machine – lower bills and longer life expectancy

- Full coverage filtration system – less water changes due to cleaner wash water
- Removable rack and door guides offer better access for cleaning and maintenance



Excellent wash results and perfect hygiene

- Rotating wash and rinse system for efficient removal of dirt
- Complete coverage of wash area, including corners
- Wash and rinse arms easy to remove and clean



Lower energy bills and noise reduction

- Double walled door with solid construction
- Low capacity wash tank for quicker start-up and lower bills



The P50 is ideal for high volume catering and hospitality dish-washing – perfect for the busy commercial kitchen wash up area.



More transparency for the operator – fewer mistakes and better results

- Simple, clear and colour-coded controls made from robust CN-switches
- Integrated temperature displays
- Electro mechanical controls
- Two programmes for different degrees of soiling



Excellent wash result

- Rotating wash and rinse arms for efficient removal of dirt
- Wash and rinse arms easy to remove and clean
- Complete coverage of wash area, including corners



Ease of operation and perfect hygiene

- Automatic hood start lets you go on with other tasks
- Self-draining wash pump – no dirty water is left
- Continuous hood cleaning system – cleaner interior of machine hood



Most effective use of your wash up area

- Straight and corner setup possible

**Under Counter Warewasher U50**

Technical data		
Number of programmes		1
Theoretical capacity version 1	[racks/h]	30
Theoretical capacity version 2	[racks/h]	20
<b>Water consumption</b>		
Tank capacity	[l]	18
Rinse water consumption per cycle	[l]	2,7
<b>Temperatures</b>		
Tank temperature	[°C]	62
Rinse temperature	[°C]	85
<b>Electrical specifications</b>		
Total connected load		
– Three-phase AC	[kW]	6,84
– Alternating current	[kW]	6,84
Fuse protection		
– Three-phase AC	[A]	16
– Alternating current	[A]	32
Circulating pump (P1)	[kW]	0,84
Tank heating	[kW]	2
Boiler heating	[kW]	6
<b>Other information</b>		
Max. water inlet temperature	[°C]	60
Required water flow pressure for pressure boiler	[bar]	2
Required water flow pressure for non pressurized boiler	[bar]	1
Splash guard		IP X3
Weight, net/gross	[kg]	66/71

**Pass-Through Warewasher P50**

Technical data		
Number of programmes		2
Theoretical capacity	[racks/h]	60/30
<b>Water consumption</b>		
Tank capacity	[l]	39
Rinse water consumption per cycle	[l]	2,9
<b>Temperatures</b>		
Tank temperature	[°C]	62
Rinse temperature	[°C]	85
<b>Electrical specifications</b>		
Total connected load		
– Three-phase AC	[kW]	12,84
Fuse protection		
– Three-phase AC	[A]	20
Circulating pump (P1)	[kW]	0,84
Tank heating	[kW]	4,80
Boiler heating	[kW]	12,00
<b>Other information</b>		
Max. water inlet temperature	[°C]	60
Required water flow pressure for pressure boiler	[bar]	2
Required water flow pressure for non pressurized boiler.	[bar]	1
Splash guard		IP X3
Weight, net/gross	[kg]	83/95