
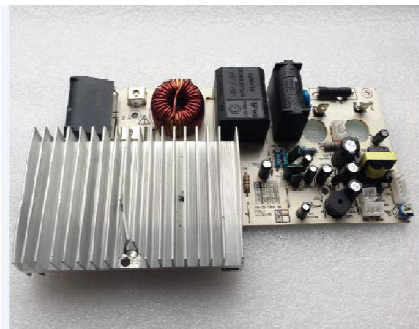


CATALOGUE

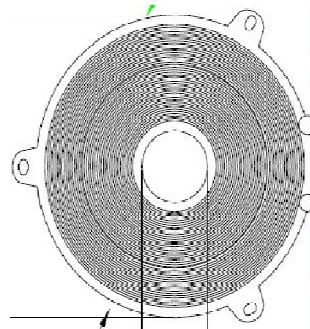
Model		Photo
Product Name	Four burner induction cooker	
Product Model	HW-IH4DB60-D25	
HS(Tariff code)	85166090	
Voltage	AC 220V	
Frequency	50-60Hz	
Power Level	9-stage power	

		Technical Specifications	
		Item	Size (Length)*(Width)*(Height)
		Product size (mm)	590*520*85(65+20)mm
		Built-in size (mm)	568*493mm
		Function	Time, child lock, Booster
		IGBT	Infineon H20R1203
		Control Method	Sensor touch Control
Suit for	fry, steam, soup, hotpot, boil, grill, rice, porridge	Power	Total:6000W Left above:2000W Left bottom:1500W Right above:1500W Right bottom:2000W

More Pictures as below



2000W Main board



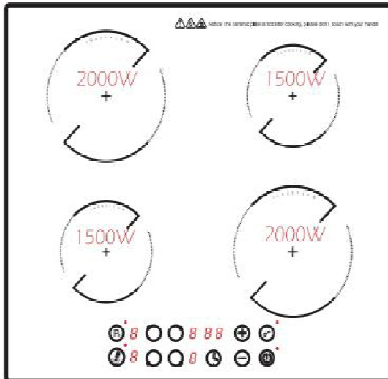
Inductance Value : 93±3



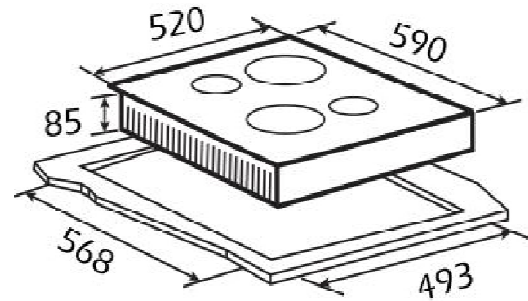
Key Board With 4 Digital Display



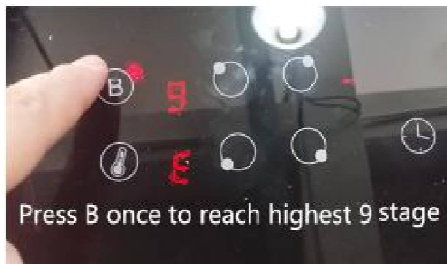
Package With 5 Layers Carton



Power and key board



Built- in size(mm)



Press B once to reach highest 9 stage

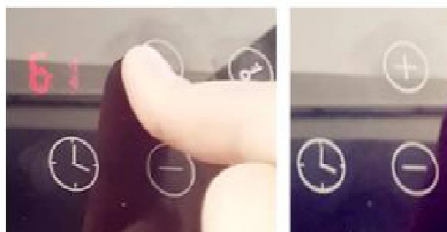
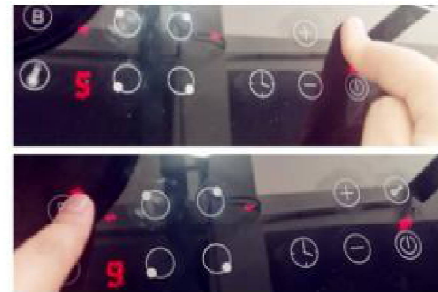
Booster Function

When you cooking at low power , touch the booster key "B", power level will reach to the highest power in short time.

Child lock function

Press the lock key for three seconds to start the child lock, others buttons can't be adjust, only "OFF" can be touched to switch off the induction cooker.

When you press the child lock for 3 seconds again, all buttons works as usual.



Timer function

Independent timer for each cooking zone.

Timer range: 0-99 minutes.

Short press for +/- 1 second

Long press for +/- 5 seconds

Booster, child lock, timer function